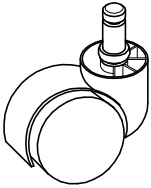
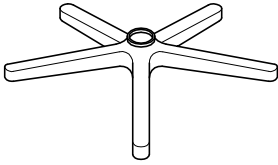
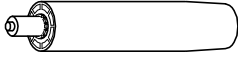

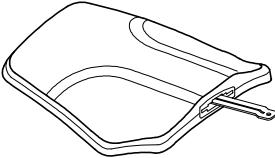

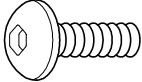
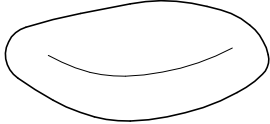
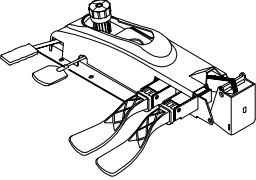
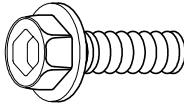
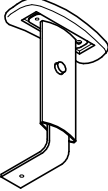
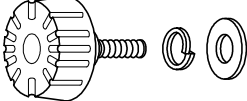
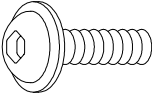
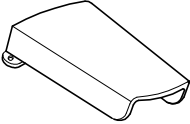
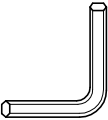


CALL CENTRE - CH0905

LISTS

<p>1. Castor (5)</p> 	<p>2. Base</p> 	<p>3. Seat Post</p> 	<p>4. Seat Post Cover</p> 
<p>5. Backrest</p> 	<p>6. Backrest Post</p> 	<p>7. Backrest Screw</p> 	<p>8. Seat</p> 
<p>9. Mechanism</p> 	<p>10. Mechanism Screw (6)</p> 	<p>11. Armrest (2)</p> 	<p>12. Arm Width Adj. Knob + Washers (2)</p> 
<p>13. Back Bolt</p> 	<p>14. Back Post Bellow</p> 	<p>15. M5 Size Allen Wrench</p> 	

SAFETY ADVICE

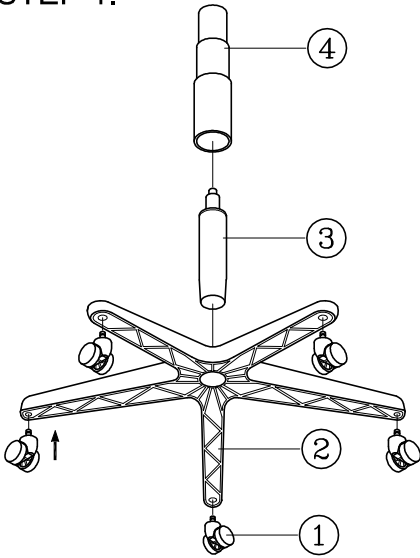
Important - Please read these instructions fully before starting assembly

- Check you have all the components and tools listed on the above.
- Remove all fittings from the plastic bags and separate them into their groups.
- Keep children and animals away from the work area, small parts could choke if swallowed.
- Make sure you have enough space to layout the parts before starting
- Do not stand or put weight on the product during assembly, this could cause damage.
- Assemble the item as close to its final position (in the same room) as possible.
- Assemble on a soft level surface to avoid damaging the unit or your floor.
- We do not recommend the use of power drills/drivers for inserting screws as this could damage the unit. Only use hand screwdrivers.
- Dispose of all packaging carefully and responsibly.



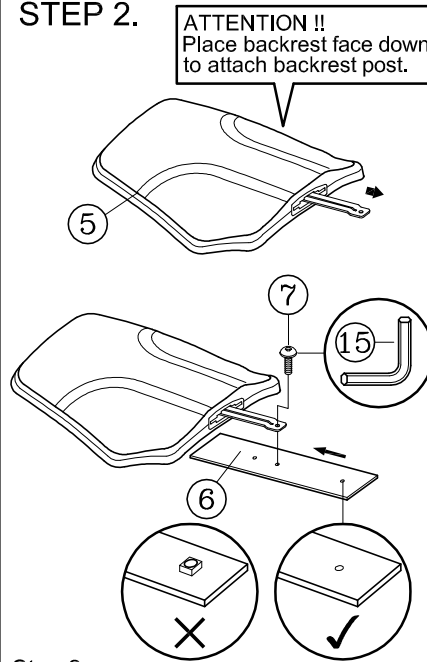
ASSEMBLY INSTRUCTIONS

STEP 1.



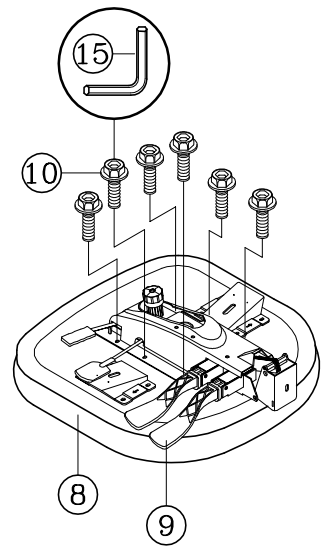
Step 1.
Insert the castors (1) into the hole at the bottom of the five prong base (2).
Insert the bottom end of the seat post (3) into center hole of the base.
Slide seat post cover (4) over seat post.

STEP 2.



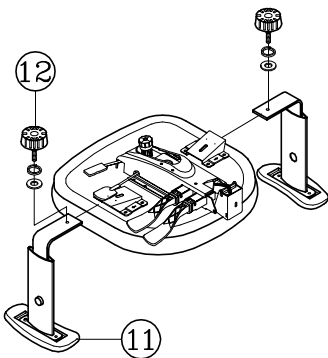
Step 2.
Attach backrest post (6) to back (5) using one short backrest post screw (7).

STEP 3.



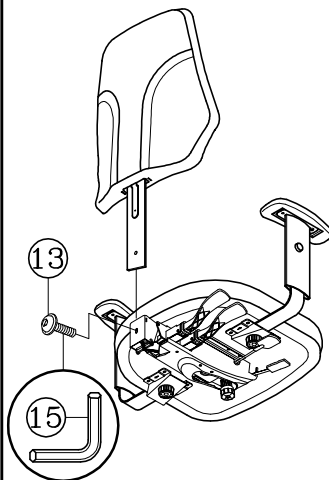
Step 3.
Attach mechanism (9) to seat (8) using screws (10).

STEP 4.



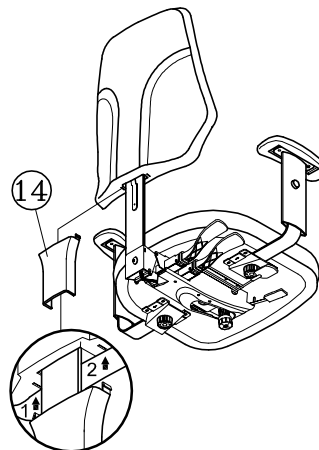
Step 4.
Insert armrests (11) into the brackets located at both sides of the seat.
Insert the width adjustment knobs (12) into the holes of brackets.
Adjust the width of the armrest to your preference and tighten securely.

STEP 5.



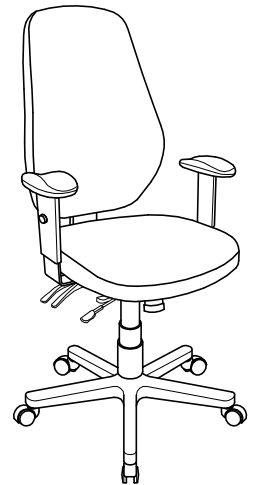
Step 5.
Insert backrest post into rear of mechanism and secure using one back bolt (13).

STEP 6.



Step 6.
Attach backrest post cover (14).

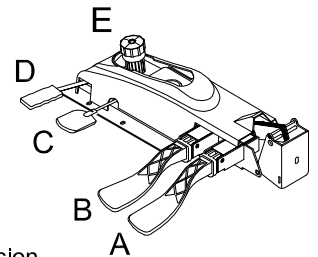
STEP 7.



Step 7.
Place the chair body onto the small end of the seat post.

MECHANISM INSTRUCTIONS

- (A) Back angle adjustment lever.
- (B) Combination seat / back angle adjustment lever with infinite lock.
- (C) Seat height adjustment lever.
- (D) Forward tilt lever
 - *While seated, lift lever B and then lean back to activate locking mechanism;
 - *Pull lever D backward to allow seat to tilt forward-or-push lever D forward to straighten seat;
 - *To lock in desired position, push lever B downward.
- (E) Tension control knob-Turn clockwise to increase tension and counter-clockwise to decrease tension.



Handy Hints

- Assemble all parts and bolts loosely during assembly, only once the product is complete should you fully tighten the bolts .
- Regularly check and ensure that all bolts and fittings are tightened properly.