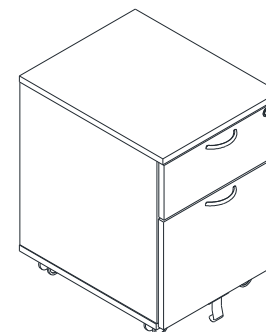


6.

7.

8.



Introducing: MP2



PLEASE NOTE
Component Guarantee

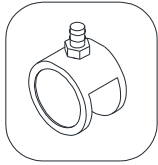


- Place all laminated parts on a clean and smooth surface such as a rug or carpet.
- Remove all wrapping materials, including staples & packing straps before you start to assemble.
- Check to be sure that you have all parts and hardware.
- Don't tighten all screw/bolts until all completely assembled.
- Keep all hardware parts out of reach of children.
- It is recommended to require 2 people to complete the assembly.

FAILURE TO FOLLOW THESE WARNINGS CAN RESULT IN SERIOUS INJURY

REMEMBER: AT LEAST EVERY 2 MONTHS, CHECK ALL BOLTS, SCREWS AND KNOBS TO BE SURE THEY ARE TIGHT

Please follow the assembly instructions. There will be no refunds or replacements for incorrect installation or assembly. As we assume that products that have been installed, assembled, painted or modified in any way were not defective at the time of delivery, no replacements or refunds will normally be available for such products.



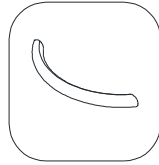
A: Castor x 4



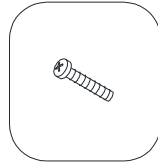
B: Front Drawer Support
x 1



C: 3,5x18 Screw
x 2



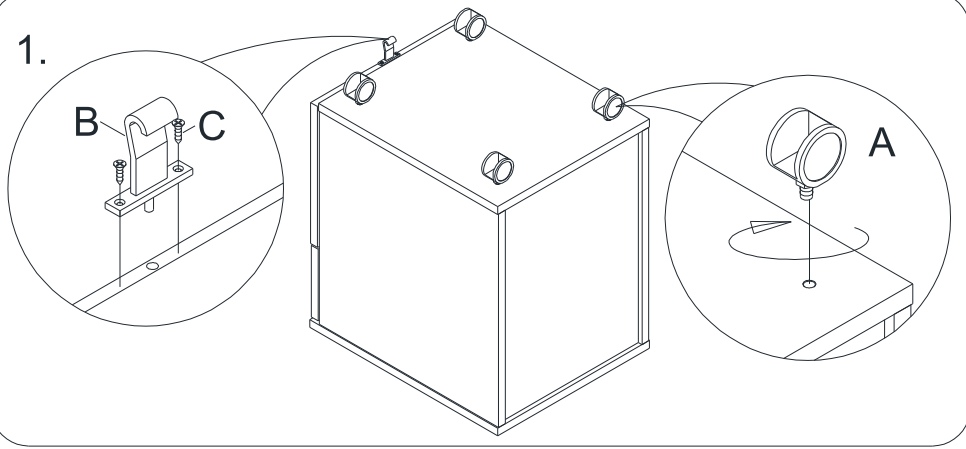
D: 96 mm Handle x 2



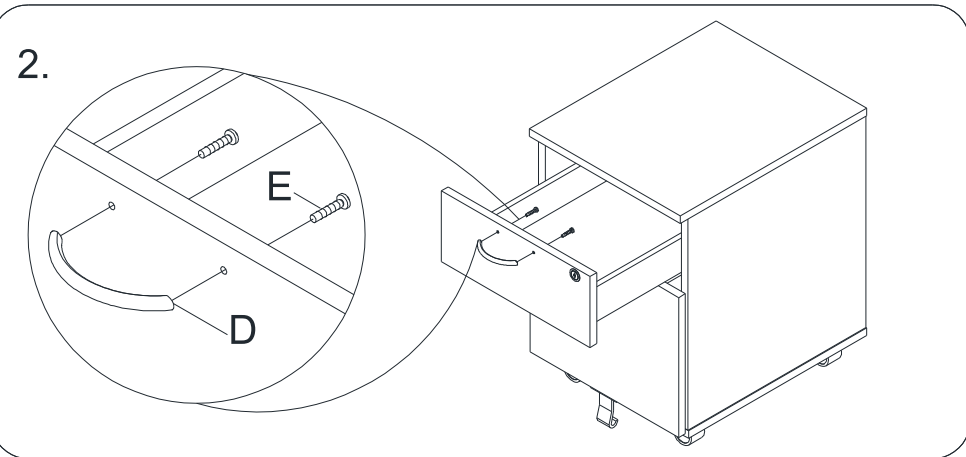
E: M4x22 Screw x 4



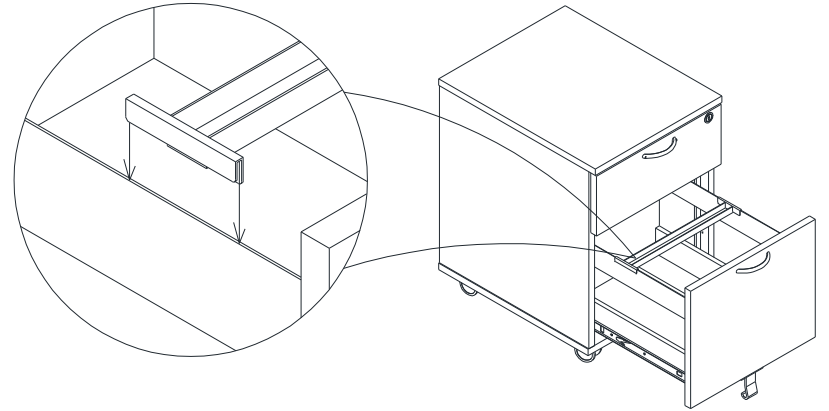
1.



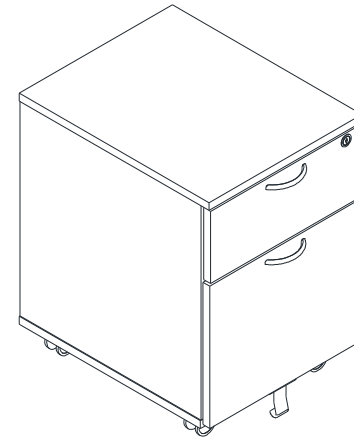
2.



3.



4.



5.