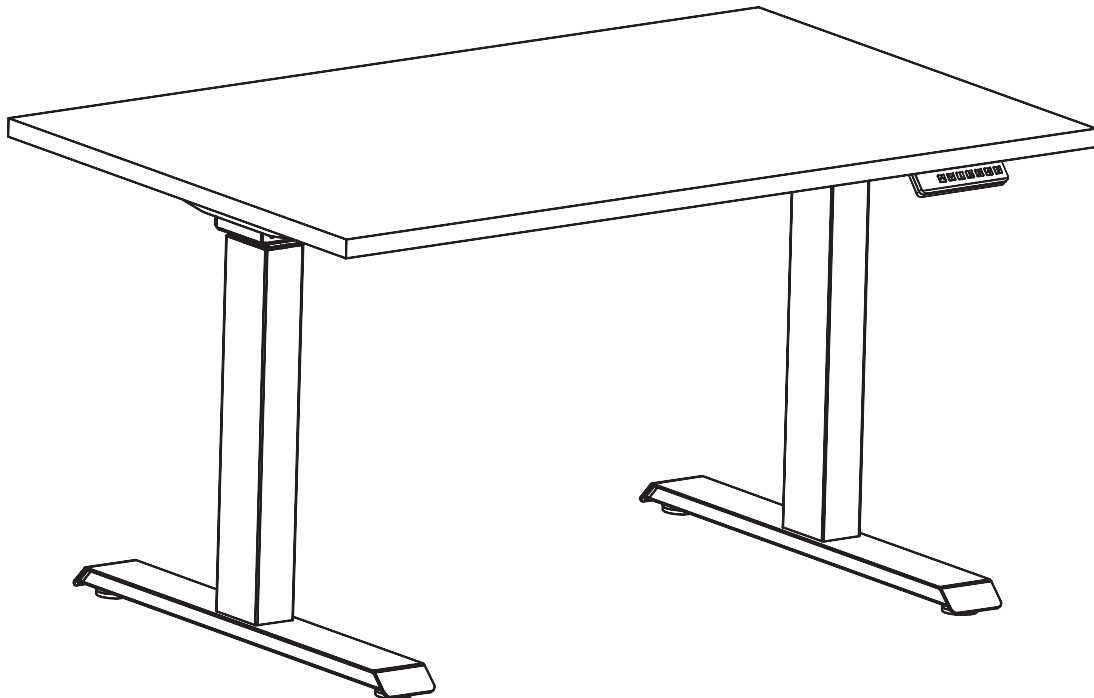


# User Guide

## IMPORTANT:

Any user or installer of the desk must study this manual carefully



### CAUTION

Make sure no obstacles are in the desks path and all cords are of appropriate length for desk travel. Failure to comply with assembly, safety, and operational instruction/warnings may result in damage or bodily injury'.

# Height Adjustable Desk Assembly Instructions

TABLE OF CONTENTS	PAGE
1. SAFETY AND WARNINGS	2
2. USAGE	2
3. SETUP AND INSTALLATION	2
4. PARTS LIST	3
5. ASSEMBLY INSTRUCTIONS	4
6. TECHNICAL SPECIFICATIONS	8
7. PROGRAMMING INSTRUCTIONS	8
8. TROUBLESHOOTING GUIDE	9

## 1. SAFETY AND WARNINGS

- Inappropriate use of the product may cause property or bodily injury
- Check surroundings on all sides before using the desk. Body parts and property can be crushed if trapped between an immobile obstacle and the desk range in motion
- Ensure the length of any power cords are accounted for when operating the desk. Items without enough cord length could be pulled down or off the desk.
- Please provide this operation to any users, installers or support personnel operating the product.

## 2. USAGE

The height adjustable desk has electric motors and is designed for use in dry work areas only. The desk should not be used in environments with high humidity or dampness. The desk height is adjustable so it can be positioned at a suitable height for the user.

Do not move around, crawl or lie under the desk. Do not sit or stand on the desk.

Children should not use the desk unless supervised by an adult.

**Liability:** Under no circumstances does the manufacturer or supplier accept warranty claims or liability claims for damages caused from improper use or handling of the desk, other than that which is described in this operation manual.

## 3. SETUP AND INSTALLATION

Once the desk has been assembled, adjust the feet so that the desk is level and does not shift its position. After this, connect the desk to the 110v or 220v outlet and the desk is ready for use.

Check that no cables can get jammed or damaged.

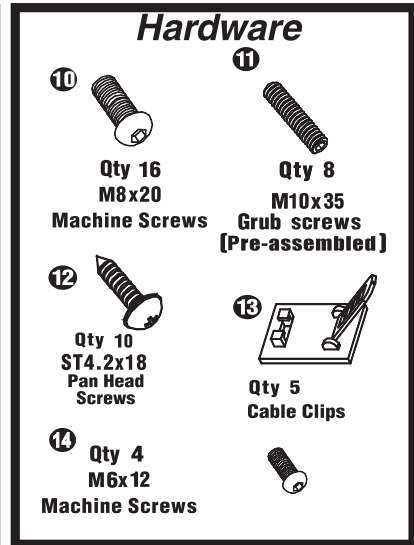
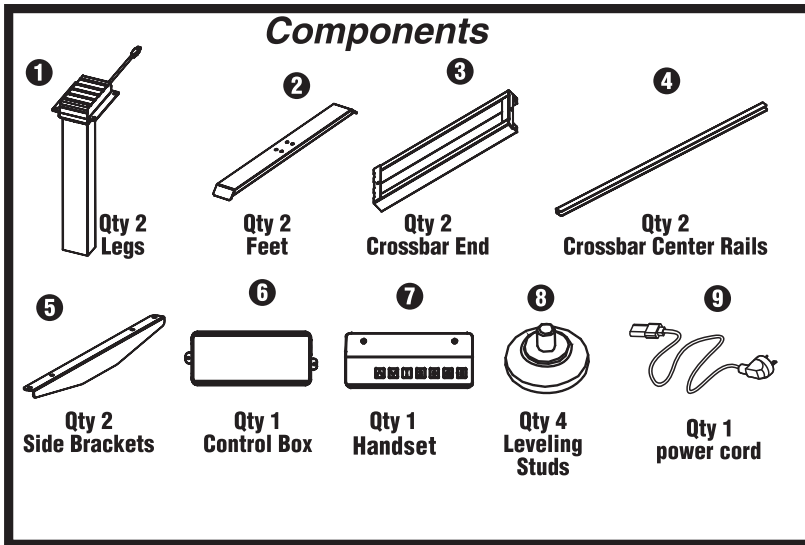
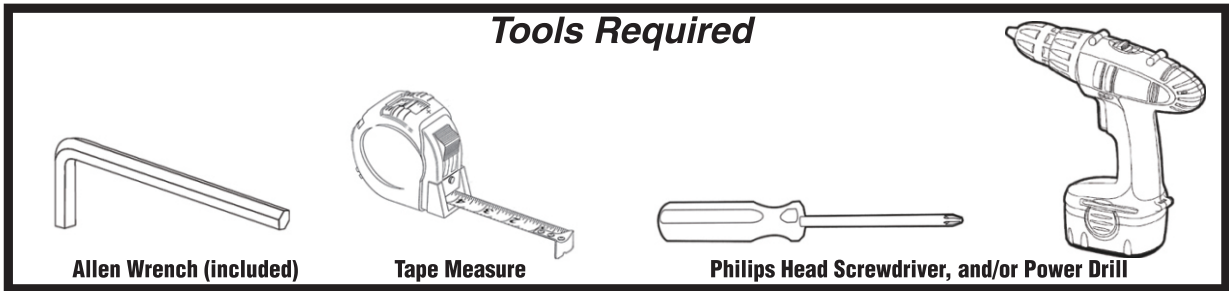
Choose a placement for the desk that is a safe distance from window frames, radiators, furniture etc.

Do not place any objects than are taller that 50cm underneath the desk.

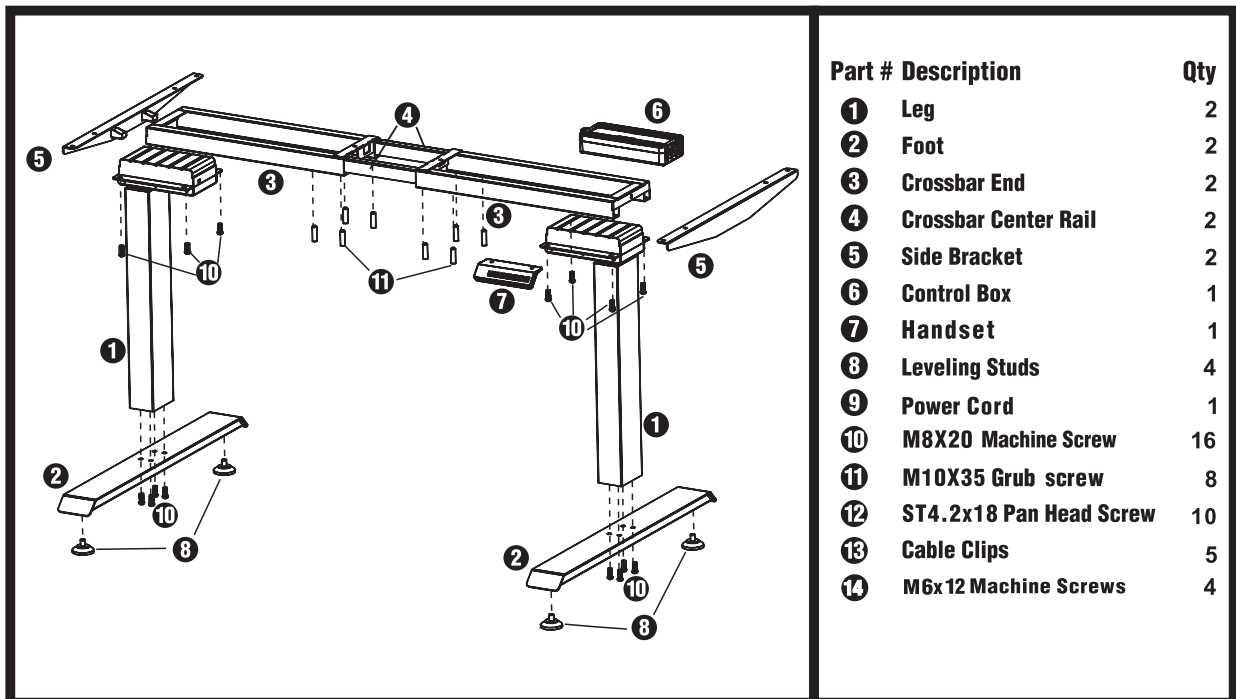
After it has been assembled, when moving the desk, DO NOT lift the desk by the desktop. Lifting this way can stress the fasteners connecting the framework to the desktop. Lower the desk completely and lift the desk from the frame.

# Height Adjustable Desk Assembly Instructions

## 4. PARTS LIST



Please count all pieces before disposing of any carton or packing material. Use a padded or carpeted area for assembly to avoid damage. For ease and safety, we recommend two people for assembly.

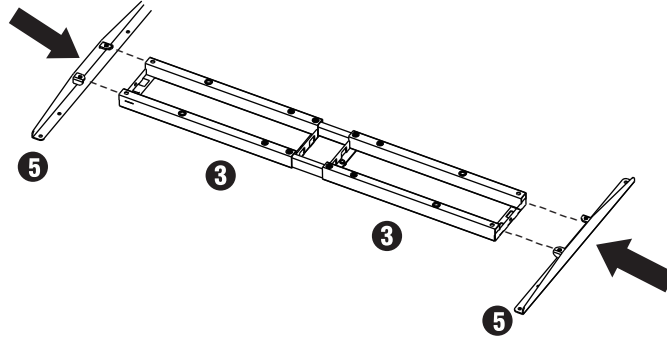


# Height Adjustable Desk Assembly Instructions

## 5. ASSEMBLY INSTRUCTIONS

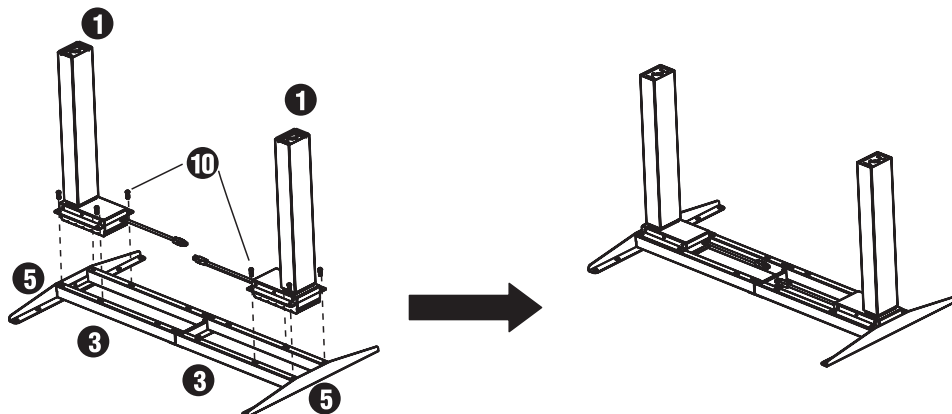
**A.** First, lay out all components and hardware to ensure that you have all the parts listed on the component list.

Place Side Brackets (Part 5) and Crossbar Ends (Part 3) upside down as shown below.  
Slide the Side Brackets (Part 5) tabs into the Crossbar Ends (Part 3).

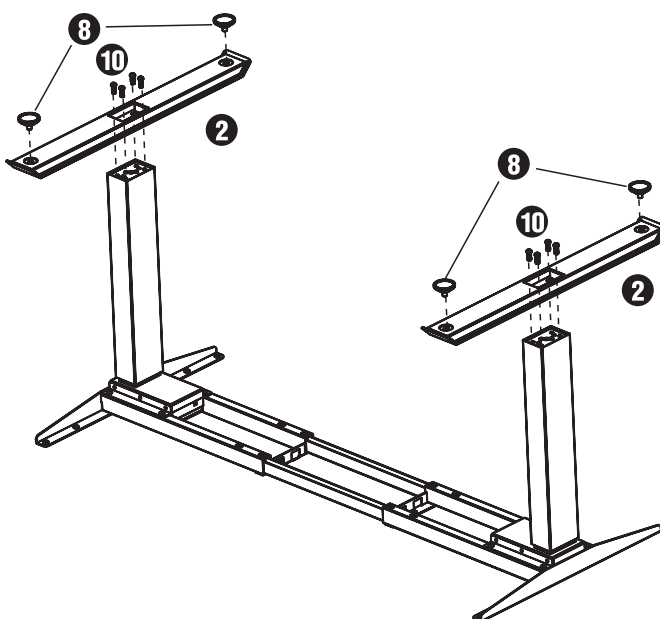



**B.** Line up the holes on each Leg (Part 1) with the holes on each Crossbar End (Part 3) and the Side Bracket (Part 5).

Insert 4 x Machine Screws (Part 10) through the 4 holes of each Leg (Part 1) going through the Crossbar End (Part 3) and the Side Bracket (Part 5) using the Allen key tighten them all the way.



**C.** Attach each Foot (Part 2) with 4 x Machine Screws (Part 10) and tighten bolts in a cross pattern.  
Attach Levelling Studs (Part 8) to the Feet (Part 2).



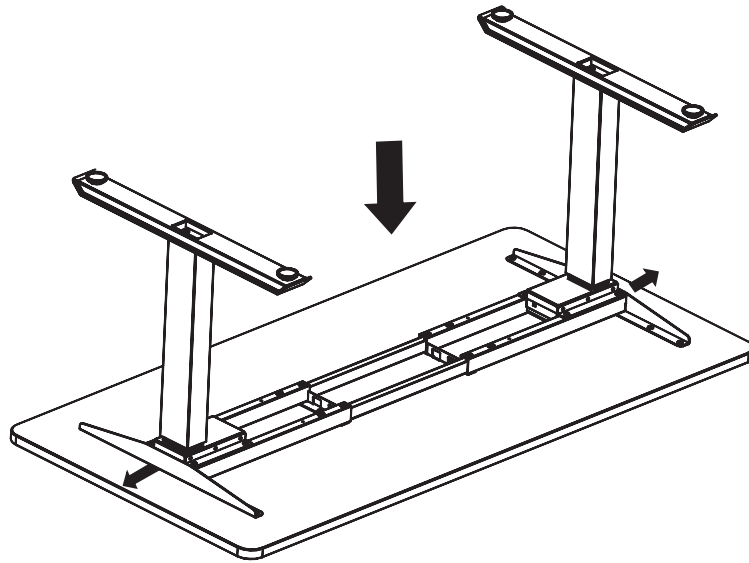
 If you are having trouble getting the screws started, its because other screws are too tight. You will need to loosen the tolerance of the screws

# Height Adjustable Desk Assembly Instructions

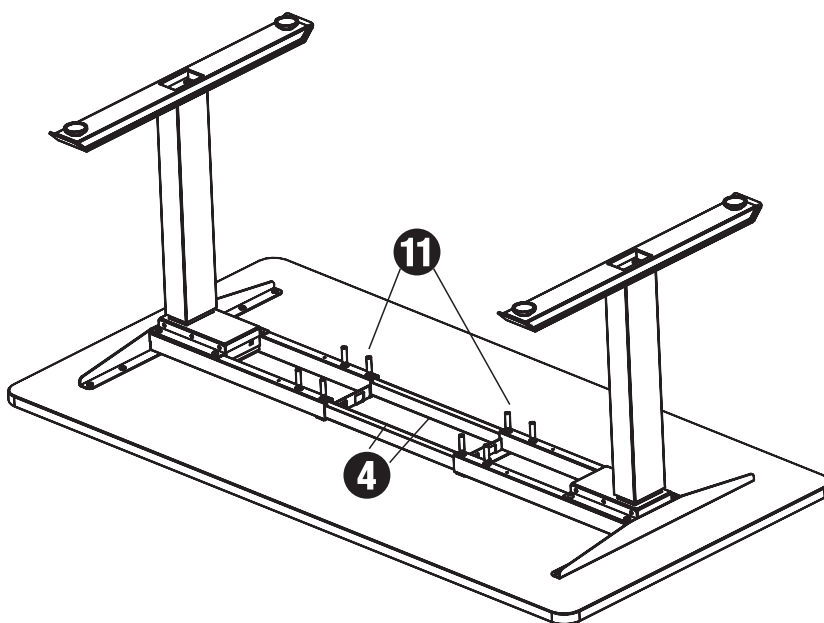
**D.** The desktop will be pre-drilled. Please check both sides of the desktop before placing the frame onto the desktop. Carefully place the upside-down frame onto the underside of the desktop.

*Note: Minimum top size is 110cm wide x 60cm deep*

Adjust the width of the frame to fit the desktop by sliding the two halves outwards (100cm -170cm max).



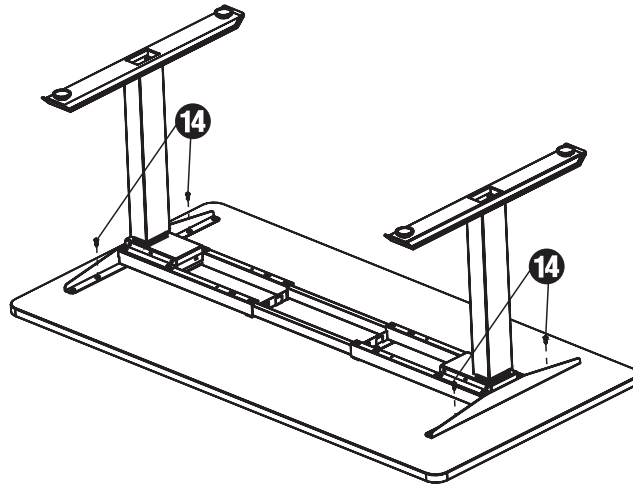
**E.** Secure the Centre Rails (Part 4) at both ends using 8 x pre-fitted Grub Screws (Part 11), 4 x per side.



# Height Adjustable Desk Assembly Instructions

F. Double check that the base is centred on the underside of the desktop and is located over the connection points.

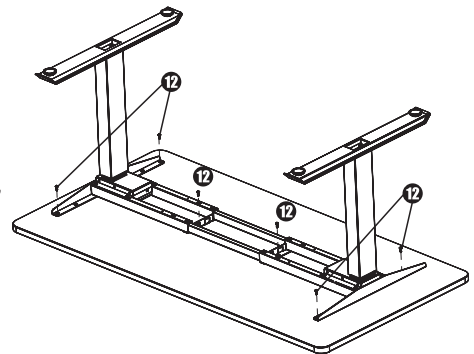
Secure the desktop to the frame using 4 x Machine Screws (Part 14), 2 x per Side Bracket.



## Spare wood screws

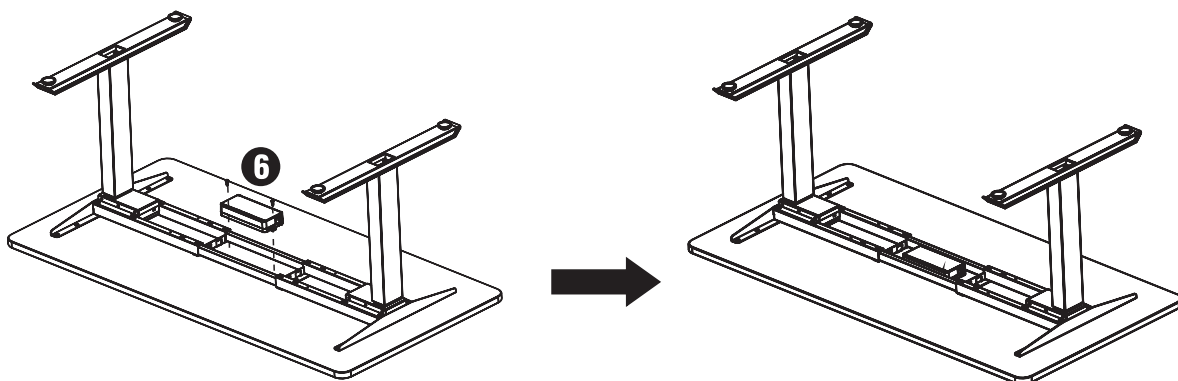


Notice: these extra wood screws (Part #12) are used for top fixing when necessary. Make sure the top is fixed by M6 bolts (Part #14) first, and then consider to add wood screws to improve top fixing, check below image and find the option assembling positions.



**G. IN THIS FOLLOWING STEP, DO NOT OVERTIGHTEN SCREWS. OVER TIGHTENING COULD CAUSE THE PLASTIC ON THE COMPONENTS TO BREAK.**

Use 2 X Pan Head Screws (Part 12) to attach the Control Box (Part 6). Ensure enough clearance at the wire ports for the cable connections.

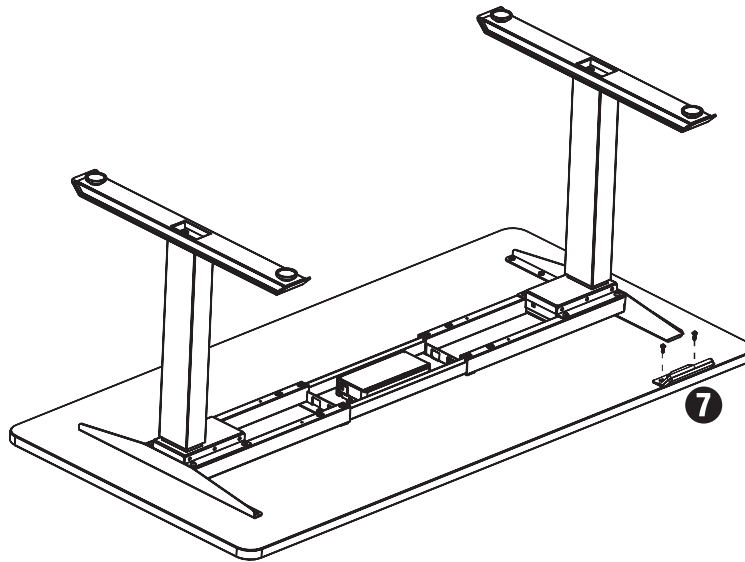


**H. IN THIS FOLLOWING STEP, DO NOT OVERTIGHTEN SCREWS. OVER TIGHTENING COULD CAUSE THE PLASTIC ON THE COMPONENTS TO BREAK.**

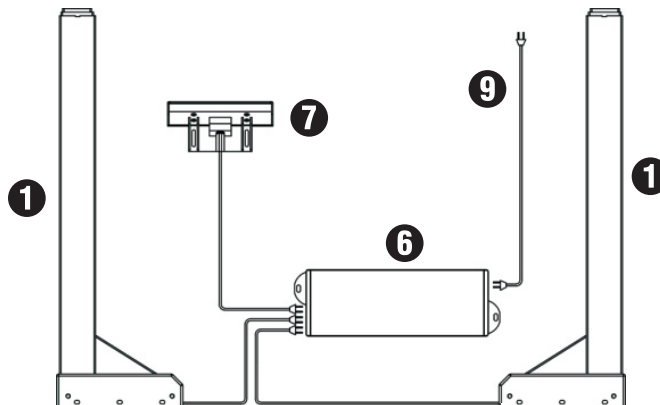
# Height Adjustable Desk Assembly Instructions

Place the Handset (Part 7) so the front of the Handset runs flush with the desktop edge. The Handset can be placed anywhere along the front edge of the desktop. We recommend placing it near the side, so it does not interfere with your chair or legs when seated.


Use 2 x Pan Head Screws (Part 12) to attach the Handset (Part 7) to the desktop.



I. Connect the Wires as per the diagram below. Use the adhesive-backed Cable Clips (Part 13) to secure the Connecting Wires so they do not sag.



J. Turn the assembled desk right-side-up. With two people, hold the base (not the desktop) and turn the desk right-side-up. Adjust the Levelling Studs on the Feet (Part 2) as needed.

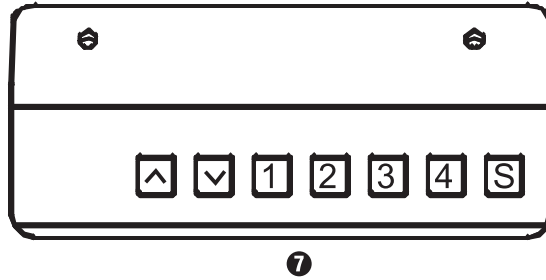


**MAKE SURE NO OBSTACLES ARE IN THE DESK'S PATH.  
MAKE SURE ALL CORDS ARE OF A LENGTH THAT WILL  
ACCOMMODATE THE CHANGE IN HEIGHT.**

K. Plug the power cord into a 110v or 220v outlet

# Height Adjustable Desk Assembly Instructions

**IMPORTANT:** You must RESET the desk prior to use



Press and hold the DOWN button on the Handset (Part 7) until the desk reaches its lowest height. Release the DOWN button. Press and hold the DOWN button again for about 10 seconds until the desk lowers a little more, slightly rises and stops. Release the DOWN button.

Your desk is now ready to use.

To program up to four pre-sets:

Use the UP/DOWN buttons to find the desired height, then press “S” followed by a number 1-4.

## 6. TECHNICAL SPECIFICATIONS

Height Range	63cm (24.8”) – 129cm (50.8”)
Base Width	100cm (39.4”) min – 170cm (67”) max
Travel Speed	38mm (1.5”) per second
Weight Capacity	120kg (264lbs)
Duty Cycle	10%, Max. 2 mins on, 18 mins off
	4 Memory Pre-sets Soft Start/Stop Adjustable leveling studs

## 7. PROGRAMMING INSTRUCTIONS

### MEMORY SETTINGS

Save up to four commonly used desk heights and recall them quickly

1. Use the UP or DOWN button to move the desk to the desired height
2. Press the “S” button until it flashes
3. Press “1,2,3 or 4” button to assign the current height to a number on the handset
4. To bring the desk back to any of these assigned heights, press the numbered button

### HANDSET LOCK

The handset can be locked to prevent accidental activation or movement of the desk, and to prevent the desk settings from being accidentally changed.

To lock: Press and hold the “UP” and “DOWN” buttons simultaneously for 5 seconds until the LED reads “LOC”

To unlock: Press and hold the “UP” and “DOWN” buttons simultaneously for 5 seconds until the LED switches from “LOC” to the height display

### ADVANCED SETTINGS

Press the “S” button for 5 seconds until the LED flashes. The menu contains 7 items as the table below.



# Height Adjustable Desk Assembly Instructions

Short press “S” button to select the item you’d like to set, then use the UP/DOWN buttons to adjust the value.

Long press the “S” to save the settings and a progress bar will appear. “SUS” will be displayed if it has saved successfully, and “FAL” will be displayed if it has failed.

The menu will return to the display height automatically if no operation is taken within 10 seconds.

MENU	SETTING RANGE	REMARKS
Minimum Height	63.0cm~119cm (24.8"~46.9")	A RESET procedure requires the desk frame to fully retract (Beyond any minimum height set). Please ensure that you have the proper clearance below the desk frame.
Maximum Height	73.0cm~129cm (28.7"~50.8")	If memory settings were previously set outside of the new minimum and maximum height settings, they will default to the new minimum and maximum settings.
Starting Height	0.0~30.0cm (11.8")	Increase the Starting Height to the current height range
Upward Anti-Collision	PC0~PC5	0: shut down 1~5: The higher the number, the higher the sensitivity
Downward Anti-Collision	dC0~dC5	0: shut down 1~5: The higher the number, the higher the sensitivity
Sensor Anti-Collision	SS0~SS5	0: shut down 1~5: The higher the number, the higher the sensitivity
Display Unit	U-0	Change the numeric display to show heights in centimeters
	U-1	Change the numeric display to show heights in inches

## 8. TROUBLESHOOTING

If your desk does not respond when you try to raise or lower it, or if the handset displays error messages, check to make sure all the cables are secure (Legs to cables, cables to Control box). If the problem persists, perform the reset procedure.

### RESET PROCEDURE

1. Unplug the power cord and hold the DOWN button on the handset for 30 seconds
2. Plug the power cord back in
3. Hold the DOWN button until the desk reaches the lowest height, then release.
4. Hold the DOWN button again for about 10 seconds until the desk lowers a bit more, then rises slightly and stops, then release
5. The handset will then display the current height, and you should be able to operate the desk
6. You may also need to do this if the desk is ever unplugged or loses power.

If the error message persists after reset procedure, contact your supplier.

# Height Adjustable Desk Assembly Instructions

DESCRIPTION	CODE	TROUBLESHOOTING SOLUTION
Self-Checking Issues	SC0 SC1 SC2 SC3	Power on again. If the code persists, replace the Control Box
Collision Protection by Sensor	R-2	Check your desk's surroundings to make sure there will be no obstacles in the desk's path and that all cords are long enough to accommodate the motion of your desk. If the code persists, set the Sensor Anti-Collision to a less sensitive level or shut down the Sensor Anti-Collision (Please refer to <b>ADVANCED SETTINGS</b> )
Unsynchronized Legs	R-3	Check all cables to ensure they're all firmly plugged in, and perform Reset procedure
Overheating Protection	HOT	Let the desk rest for 18 minutes
Communication Failure	R-5	Check the connection between Handset and Control Box. If the code persists, replace Handset
Abnormal Voltage	R-6	Power on again. If the code persists, replace the Control Box
Reset not Completed	RST	Proceed the Reset procedure
Short Circuit	E10 E20 E30	Power on again. If the code persists, replace the Control Box
Overload Protection	E11 E21 E31	Reduce the load on desk
Motor Open Phase	E12 E22 E32	Perform Reset procedure. If the code persists, replace the Leg
Wrong Running Direction	E13 E23 E33	Perform Reset procedure. If the code persists, replace the Leg
Collision Protection	E14 E24 E34	Check your desk's surroundings to make sure there will be no obstacles in the desk's path and that all cords are long enough to accommodate the motion of your desk. If the code persists, set the Upward Anti-Collision/Downward Anti-Collision to a less sensitive level or shut down the Upward Anti-Collision/Downward Anti-Collision (Please refer to <b>ADVANCED SETTINGS</b> )
Motor Stalling	E15 E25 E35	Perform Reset procedure. If the code persists, replace the Leg
Disconnection of Motor Cable	E16 E26 E36	Check the connection between leg and control box
Mechanical Failure	E17 E27 E37	Perform Reset procedure. If the code persists, replace the Leg



In the event of a power outage or if the power cord is unplugged, a manual reset may be necessary (see Reset Instructions above)



This product is designed with a duty cycle of 10% (2 min. on, 18 min. off)



Keep Children away from electric height-adjustable desks, control units and handsets. There is a risk of injury and electric shock



Do not open any of the components: lifting columns, control box or handset. There is a danger of electric shock



Keep all electrical components away from liquids

